

# AMERICAN CRAFTSMAN WINDOWS SILVER LINE WINDOWS AND DOORS

## 50 SERIES / V1 SERIES / (2111) SINGLE HUNG WINDOWS (NON-HVHZ)(NON-IMPACT)

AMERICAN CRAFTSMAN WINDOWS  
SILVER LINE WINDOWS AND DOORS

ONE SILVER LINE DRIVE  
NORTH BRUNSWICK, NJ 08902  
PH: (888) 741-0354

TITLE: 50 SERIES/ V1 SERIES/ (2111)  
SINGLE HUNG- WINDOWS  
(NON-HVHZ)(NON-IMPACT)

GENERAL NOTES & GLAZING DETAIL

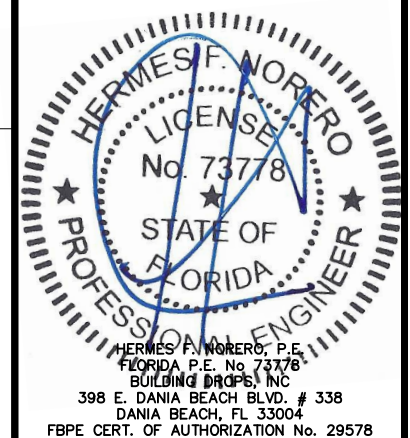
PREPARED BY:

BUILDING DROPS, INC.  
398 E. DANIA BEACH BLVD., STE. 338  
DANIA BEACH, FL 33004  
PH: (954) 399-8478  
FAX: (954) 744-4738  
WEB: www.buildingdrops.com



REMARKS	BY	DATE
6TH FBC EDITION	FM	10/17
7TH FBC EDITION	NUS	10/14/20

THE INSTALLATION DETAILS DESCRIBED HEREIN ARE GENERIC AND MAY NOT REFLECT ACTUAL CONDITIONS FOR A SPECIFIC SITE. IF SITE CONDITIONS CAUSE INSTALLATION TO DEVIATE FROM THE REQUIREMENTS DETAILED HEREIN, A LICENSED ENGINEER OR ARCHITECT SHALL PREPARE SITE SPECIFIC DOCUMENTS FOR USE WITH THIS DOCUMENT.



FL #:	<b>FL14911</b>
DATE:	<b>09.20.17</b>
DWG. BY:	<b>CL</b>
CHK. BY:	<b>HFN</b>
SCALE:	<b>NTS</b>
DWG. #:	<b>SWD018</b>

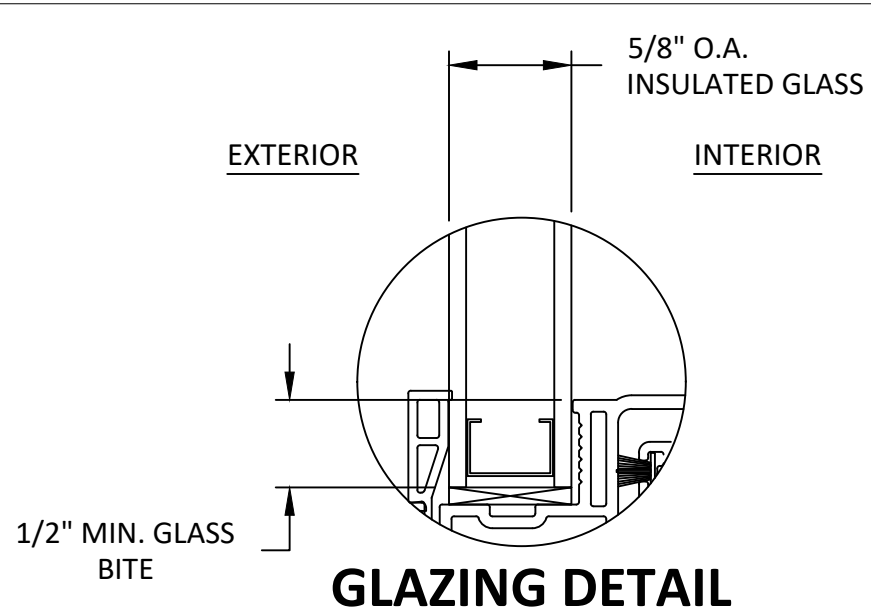
SHEET:  
**1**  
OF 4

**GENERAL NOTES:**

1. THE PRODUCT SHOWN HEREIN IS DESIGNED AND MANUFACTURED TO COMPLY WITH THE CURRENT EDITION FLORIDA BUILDING CODE (FBC), EXCLUDING HVHZ AND HAS BEEN EVALUATED ACCORDING TO THE FOLLOWING:
  - AAMA/WDMA/CSA 101/I.S.2/A440-11
2. ADEQUACY OF THE EXISTING STRUCTURAL CONCRETE/MASONRY, 2X FRAMING, AND METAL FRAMING AS A MAIN WIND FORCE RESISTING SYSTEM CAPABLE OF WITHSTANDING AND TRANSFERRING APPLIED PRODUCT LOADS TO THE FOUNDATION IS THE RESPONSIBILITY OF THE ENGINEER OR ARCHITECT OF RECORD FOR THE PROJECT OF INSTALLATION.
3. 1X AND 2X BUCKS (WHEN USED) SHALL BE DESIGNED AND ANCHORED TO PROPERLY TRANSFER ALL LOADS TO THE STRUCTURE. BUCK DESIGN AND INSTALLATION IS THE RESPONSIBILITY OF THE ENGINEER OR ARCHITECT OF RECORD FOR THE PROJECT OF INSTALLATION.
4. THE INSTALLATION DETAILS DESCRIBED HEREIN ARE GENERIC AND MAY NOT REFLECT ACTUAL CONDITIONS FOR A SPECIFIC SITE. IF SITE CONDITIONS CAUSE INSTALLATION TO DEVIATE FROM THE REQUIREMENTS DETAILED HEREIN, A LICENSED ENGINEER OR ARCHITECT SHALL PREPARE SITE SPECIFIC DOCUMENTS FOR USE WITH THIS DOCUMENT IN NON-HVHZ AREAS.
5. APPROVED IMPACT PROTECTIVE SYSTEM **IS REQUIRED** ON THIS PRODUCT IN AREAS REQUIRING IMPACT RESISTANCE.
6. WINDOW FRAME MATERIAL: PVC
7. GLASS SHALL MEET THE REQUIREMENTS OF ASTM E 1300 GLASS CHARTS. SEE SHEET 1 FOR GLAZING DETAILS.

TABLE OF CONTENTS		
SHEET	REVISION	SHEET DESCRIPTION
1	-	GENERAL NOTES & GLAZING DETAILS
2	-	ELEVATIONS & ANCHOR LAYOUTS
3	-	VERTICAL SECTIONS
4	-	HORIZONTAL SECTIONS
5	-	ANCHOR DETAIL & SCHEDULE

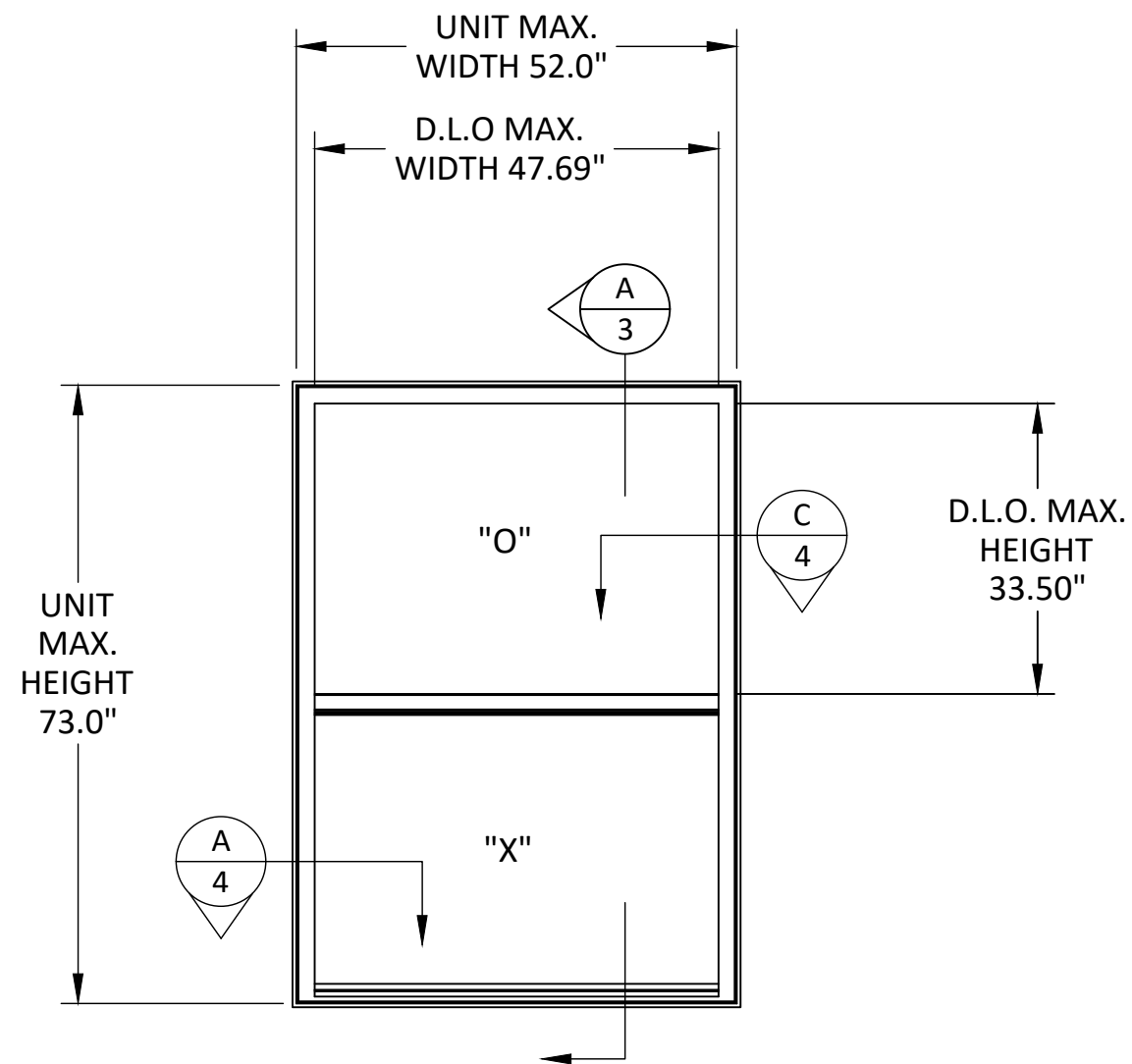
DESIGN PRESSURE TABLE			
SIZE	CONFIGURATION	DESIGN PRESSURE	MISSILE IMPACT RATING
36.0" X 62.0"	O/X	+50/-50 PSF	NON-IMPACT
45.0" X 62.0"	O/X	+40/-40 PSF	NON-IMPACT
52.0" X 73.0"	O/X	+30/-30 PSF	NON-IMPACT



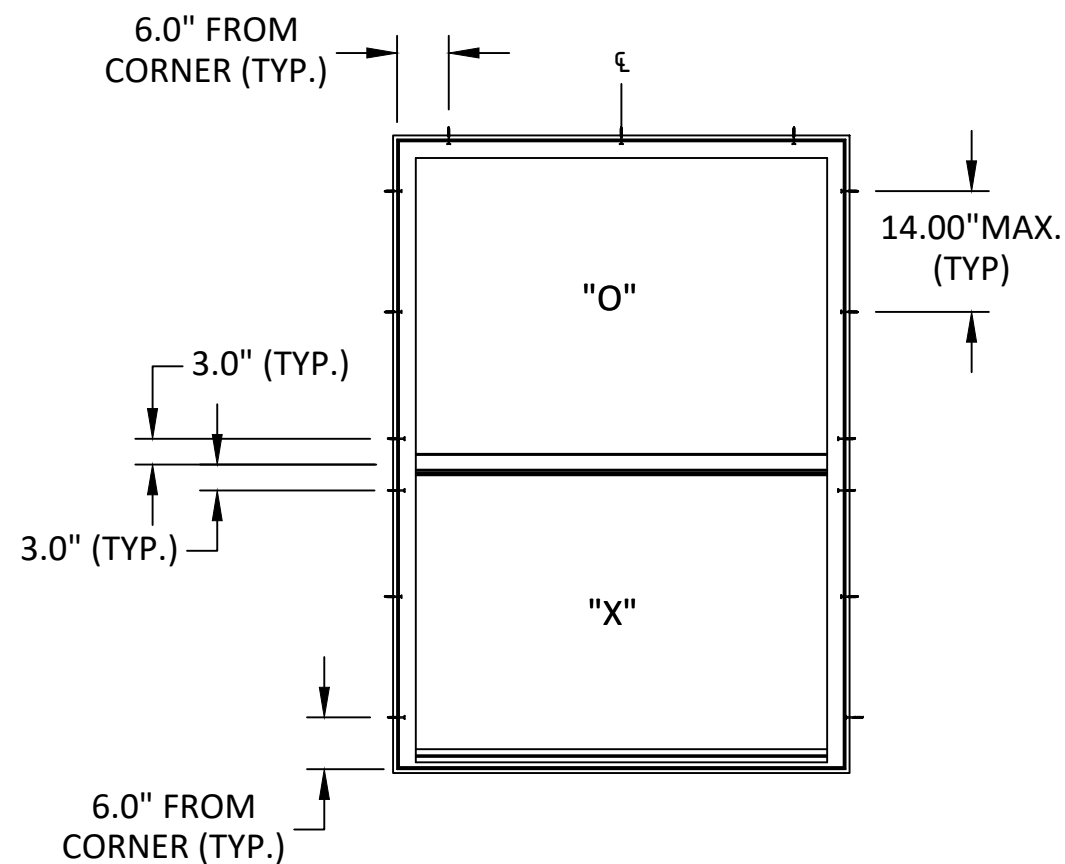
**GLAZING NOTE:**

- GLASS THICKNESS AND TYPE SHALL COMPLY WITH ASTM E-1300 GLASS CHARTS REQUIREMENT

10/21/2020 3:15 PM  
s:\projects\silver line windows and doors\cc-20-0920-fbc code change (ver. 2)\dwg\fl14911\swd018 - single hung 2100 series.dwg



**ELEVATION**



**ANCHOR LAYOUT THROUGH FRAME**

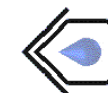
AMERICAN CRAFTSMAN WINDOWS  
SILVER LINE WINDOWS AND DOORS

ONE SILVER LINE DRIVE  
NORTH BRUNSWICK, NJ 08902  
PH: (888) 741-0354

TITLE: 50 SERIES/ V1 SERIES/ (2111)  
SINGLE HUNG- WINDOWS  
(NON-HVHZ)/(NON-IMPACT)

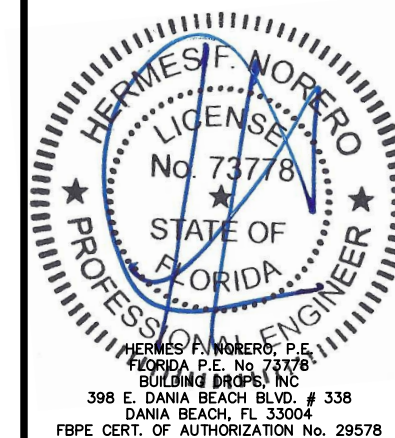
ELEVATIONS & ANCHOR LAYOUTS

PREPARED BY:  
**BUILDING DROPS, INC.**  
398 E. DANIA BEACH BLVD., STE. 338  
DANIA BEACH, FL 33004  
PH: (954) 359-8478  
FAX: (954) 744-4738  
WEB: www.buildingdrops.com



REMARKS	BY	DATE
6TH FBC EDITION	FM	10/17
7TH FBC EDITION	NUS	10/14/20

THE INSTALLATION DETAILS DESCRIBED HEREIN ARE GENERIC AND MAY NOT REFLECT ACTUAL CONDITIONS FOR A SPECIFIC SITE. IF SITE CONDITIONS CAUSE INSTALLATION TO DEVIATE FROM THE REQUIREMENTS DETAILED HEREIN, A LICENSED ENGINEER OR ARCHITECT SHALL PREPARE SITE SPECIFIC DOCUMENTS FOR USE WITH THIS DOCUMENT.



FL #:	<b>FL14911</b>
DATE:	<b>09.20.17</b>
DWG. BY:	CL
CHK. BY:	HFN
SCALE:	NTS
DWG. #:	SWD018
SHEET:	

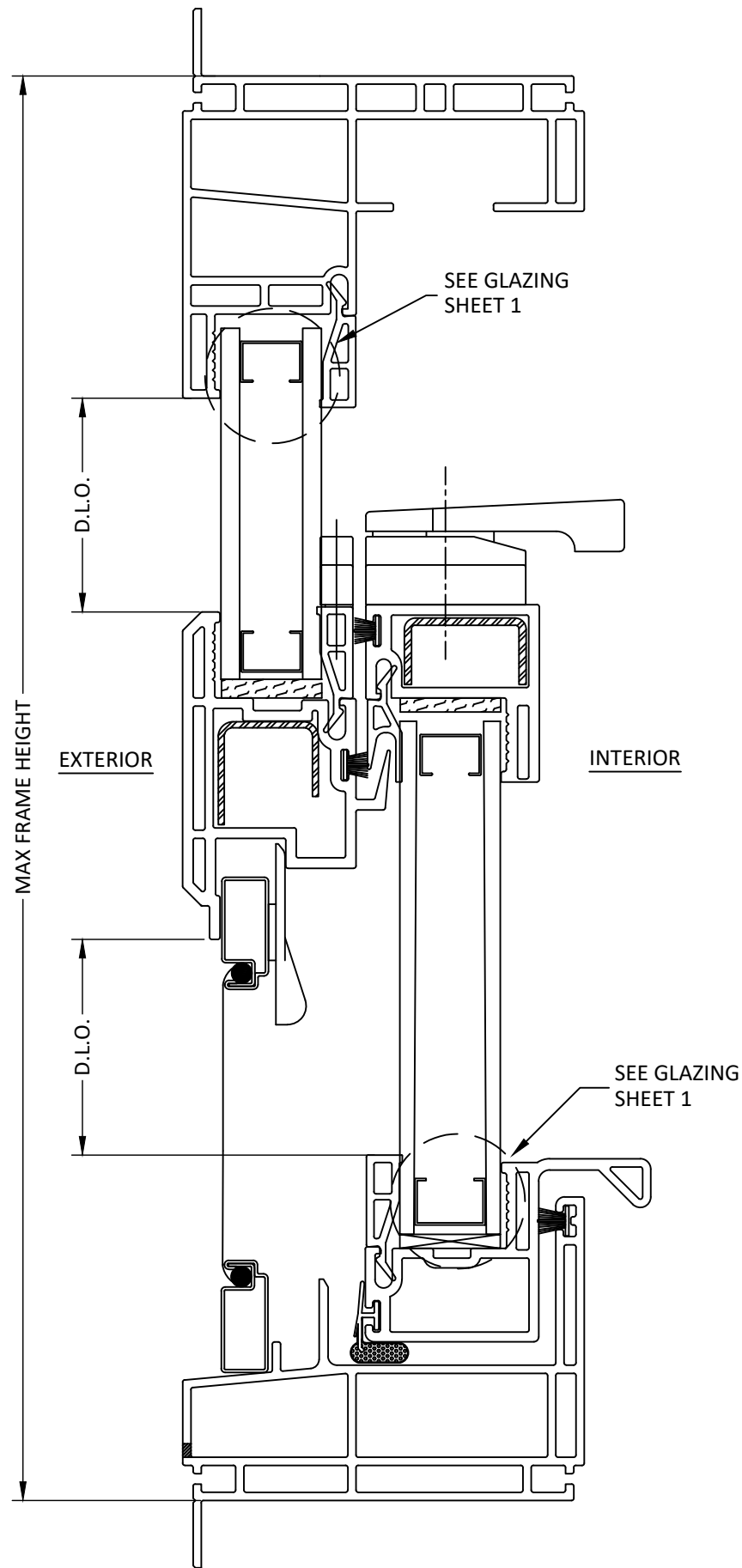
2

OF 4

10/21/2020 3:15 PM

s:\projects\silver line windows and doors\cc-20-0920-fbc code change (ver. 2)\dwg\fl14911\_swd018 - single hung 2100 series.dwg

# A 3 VERTICAL SECTION



AMERICAN CRAFTSMAN WINDOWS  
SILVER LINE WINDOWS AND DOORS

ONE SILVER LINE DRIVE  
NORTH BRUNSWICK, NJ 08902  
PH: (888) 741-0354

TITLE: 50 SERIES/ V1 SERIES/ (2111)  
SINGLE HUNG- WINDOWS  
(NON-HVHZ)/(NON-IMPACT)

VERTICAL SECTIONS

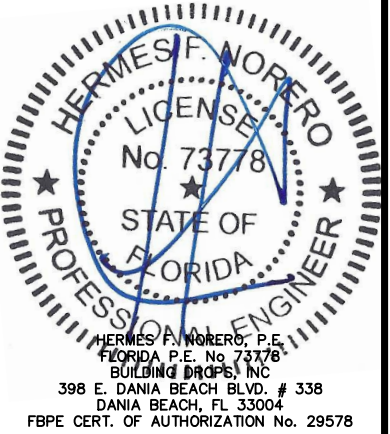
PREPARED BY:



**BUILDING DROPS, INC.**  
398 E. DANIA BEACH BLVD., STE. 338  
DANIA BEACH, FL 33004  
PH: (954) 399-8478  
FAX: (954) 744-4738  
WEB: www.buildingdrops.com

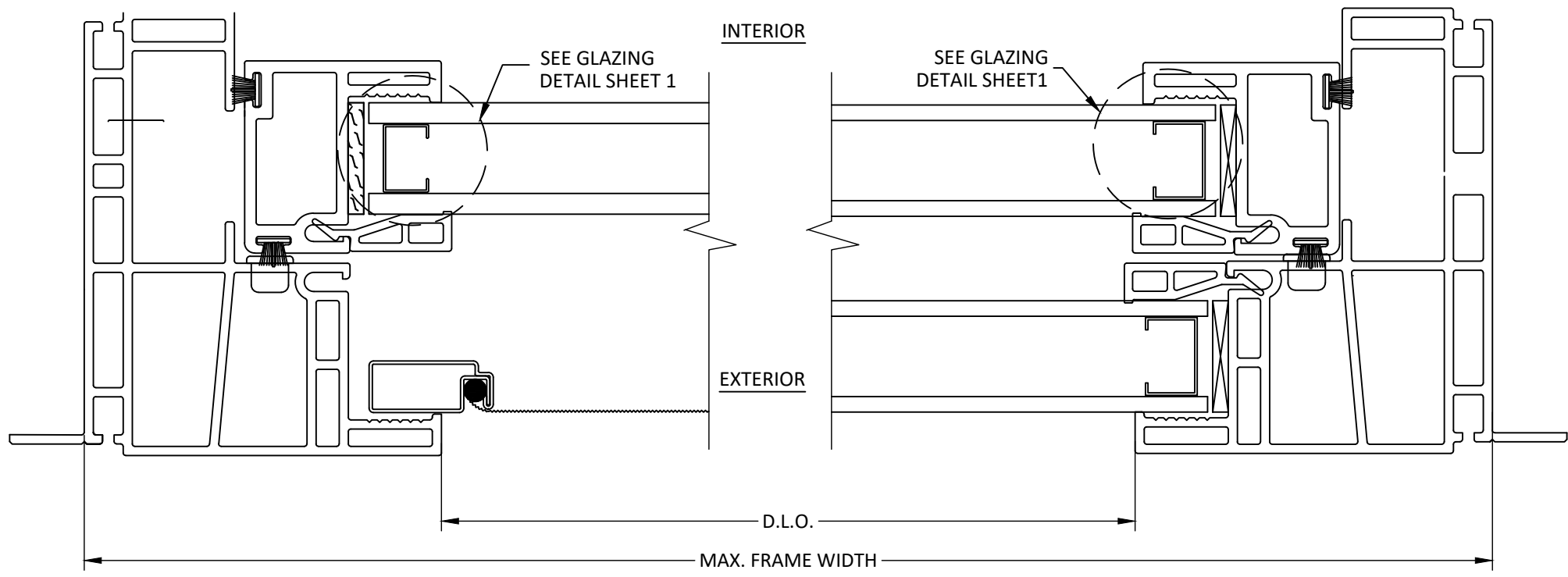
REMARKS	BY	DATE
6TH FBC EDITION	FM	10/17
7TH FBC EDITION	NUS	10/14/20

THE INSTALLATION DETAILS DESCRIBED HEREIN ARE GENERIC AND MAY NOT REFLECT ACTUAL CONDITIONS FOR A SPECIFIC SITE. IF SITE CONDITIONS CAUSE INSTALLATION TO DEVIATE FROM THE REQUIREMENTS DETAILED HEREIN, A LICENSED ENGINEER OR ARCHITECT SHALL PREPARE SITE SPECIFIC DOCUMENTS FOR USE WITH THIS DOCUMENT.



FL #:	<b>FL14911</b>
DATE:	<b>09.20.17</b>
DWG. BY:	<b>CL</b>
CHK. BY:	<b>HFN</b>
SCALE:	<b>NTS</b>
DWG. #:	<b>SWD018</b>
SHEET:	<b>3</b>

10/21/2020 3:15 PM  
s:\projects\silver line windows and doors\cc-20-0920-fbc code change (ver. 2)\dwg\fl14911\_swd018 - single hung 2100 series.dwg



**A**  
**4** **HORIZONTAL SECTION**  
OPERABLE JAMB

**C**  
**4** **HORIZONTAL SECTION**  
FIXED JAMB

AMERICAN CRAFTSMAN WINDOWS  
SILVER LINE WINDOWS AND DOORS

ONE SILVER LINE DRIVE  
NORTH BRUNSWICK, NJ 08902  
PH: (888) 741-0354

TITLE: 50 SERIES/ V1 SERIES/ (2111)  
SINGLE HUNG- WINDOWS  
(NON-HVHZ)/(NON-IMPACT)

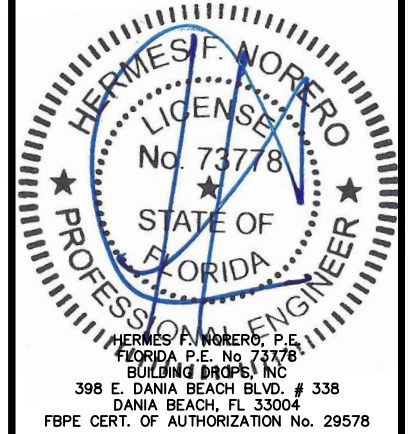
HORIZONTAL SECTIONS

PREPARED BY:

**BUILDING DROPS, INC.**  
398 E. DANIA BEACH BLVD., STE. 338  
DANIA BEACH, FL 33004  
PH: (954) 399-8478  
FAX: (954) 744-4738  
WEB: www.buildingdrops.com

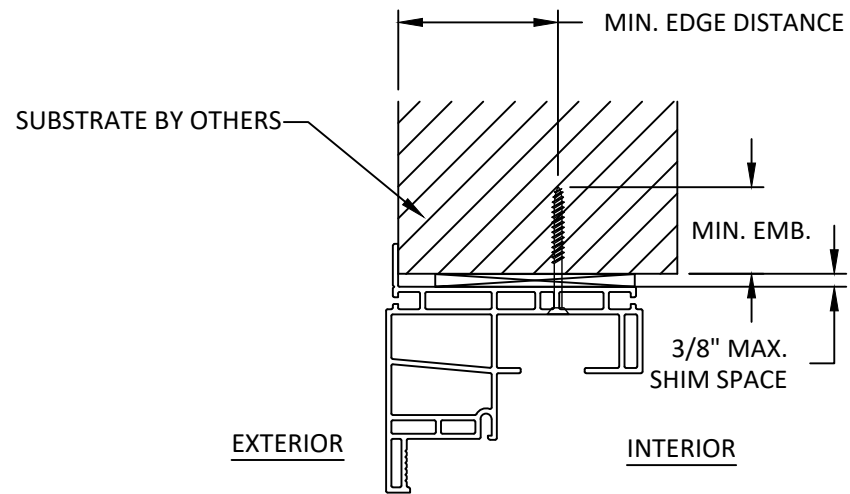
REMARKS	BY	DATE
6TH FBC EDITION	FM	10/17
7TH FBC EDITION	NUS	10/14/20

THE INSTALLATION DETAILS DESCRIBED HEREIN ARE GENERIC AND MAY NOT REFLECT ACTUAL CONDITIONS FOR A SPECIFIC SITE. IF SITE CONDITIONS CAUSE INSTALLATION TO DEVIATE FROM THE REQUIREMENTS DETAILED HEREIN, A LICENSED ENGINEER OR ARCHITECT SHALL PREPARE SITE SPECIFIC DOCUMENTS FOR USE WITH THIS DOCUMENT.

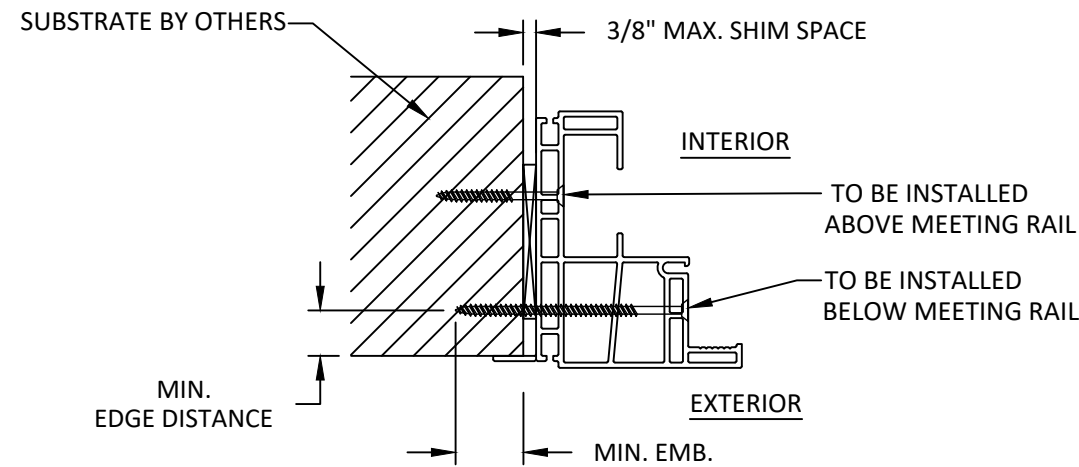


FL #:	<b>FL14911</b>
DATE:	<b>09.20.17</b>
DWG. BY:	CL
CHK. BY:	HFN
SCALE:	NTS
DWG. #:	SWD018
SHEET:	<b>4</b>
	OF 4

10/21/2020 3:15 PM  
s:\projects\silver line windows and doors\cc-20-0920-fbc code change (ver. 2)\dwg\fl14911\_swd018 - single hung 2100 series.dwg



**A**  
**5** **ANCHOR DETAIL**  
THROUGH FRAME (HEAD)



**B**  
**5** **ANCHOR DETAIL**  
THROUGH FRAME (JAMB)

ANCHOR SCHEDULE				
METHOD	SUBSTRATE	ANCHOR SCHEDULE	MIN EMBEDMENT	MIN. EDGE DISTANCE
THROUGH FRAME	WOOD: MIN. SG = 0.55	#10 WOOD SCREW	1.5"	0.75"
	METAL: 18 GAUGE Steel, MIN. Fy = 33KSI	#10 TEK SCREW	3 THREADS MIN PENETRATION BEYOND METAL	0.75"
	CONCRETE: f <sub>c</sub> =2000PSI	3/16" ITW TAPCON	1"	2.5"
	MASONRY: CMU per ASTM C90	3/16" ITW TAPCON	1"	2.5"

INSTALLATION NOTES

- ONE (1) INSTALLATION ANCHOR IS REQUIRED AT EACH ANCHOR LOCATION SHOWN.
- THE NUMBER OF INSTALLATION ANCHORS DEPICTED IS THE MINIMUM NUMBER OF ANCHORS TO BE USED FOR PRODUCT INSTALLATION OF THE MAXIMUM SIZE LISTED.
- INSTALL INDIVIDUAL INSTALLATION ANCHORS WITHIN A TOLERANCE OF ±1.000 INCH THE DEPICTED LOCATION & SPACING IN THE ANCHOR LAYOUT DETAILS (I.E., WITHOUT CONSIDERATION OF TOLERANCES). TOLERANCES ARE NOT CUMULATIVE FROM ONE INSTALLATION ANCHOR TO THE NEXT.
- SHIM AS REQUIRED AT EACH INSTALLATION ANCHOR WITH LOAD BEARING SHIM(S). MAXIMUM ALLOWABLE SHIM STACK TO BE 3/8 INCH. SHIM WHERE SPACE OF 1/16 INCH OR GREATER OCCURS. SHIM(S) SHALL BE CONSTRUCTED OF HIGH DENSITY PLASTIC OR BETTER.
- MINIMUM EMBEDMENT AND EDGE DISTANCE EXCLUDE WALL FINISHES, INCLUDING BUT NOT LIMITED TO STUCCO, FOAM, BRICK VENEER, AND SIDING.
- INSTALLATION ANCHORS AND ASSOCIATED HARDWARE MUST BE MADE OF CORROSION RESISTANT MATERIAL OR HAVE A CORROSION RESISTANT COATING.
- FOR MASONRY OR CONCRETE OPENINGS, A 1X WOOD BUCK MAY BE USED (OPTIONAL) AS LONG AS THE MINIMUM EMBEDMENT AND EDGE DISTANCE REQUIREMENTS ARE STILL MET WITHIN THE CORRESPONDING HOST SUBSTRATE. SEE GENERAL NOTE #3 ON SHEET 1 FOR MORE INFORMATION.
- FOR HOLLOW BLOCK AND GROUT FILLED BLOCK, DO NOT INSTALL INSTALLATION ANCHORS INTO MORTAR JOINTS. EDGE DISTANCE IS MEASURED FROM FREE EDGE OF BLOCK OR EDGE OF MORTAR JOINT INTO FACE SHELL OF BLOCK.
- INSTALLATION ANCHORS SHALL BE INSTALLED IN ACCORDANCE WITH ANCHOR MANUFACTURER'S INSTALLATION INSTRUCTIONS, AND ANCHORS SHALL NOT BE USED IN SUBSTRATES WITH STRENGTHS LESS THAN THE MINIMUM STRENGTH SPECIFIED BY THE ANCHOR MANUFACTURER.

AMERICAN CRAFTSMAN WINDOWS  
SILVER LINE WINDOWS AND DOORS

ONE SILVER LINE DRIVE  
NORTH BRUNSWICK, NJ 08902  
PH: (888) 741-0354

TITLE: 50 SERIES/ V1 SERIES/ (2111)  
SINGLE HUNG- WINDOWS  
(NON-HVHZ)/(NON-IMPACT)

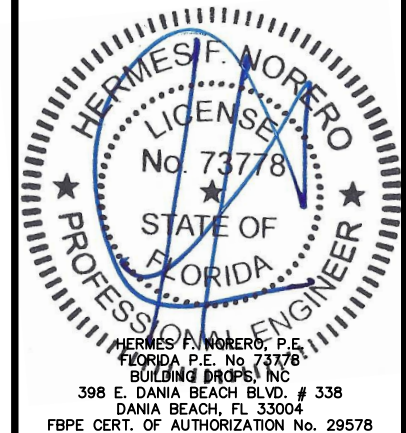
ANCHOR DETAIL & SCHEDULE

PREPARED BY:  
**BUILDING DROPS, INC.**  
398 E. DANIA BEACH BLVD., STE. 338  
DANIA BEACH, FL 33004  
PH: (954) 399-8478  
FAX: (954) 744-4738  
WEB: www.buildingdrops.com



REMARKS	BY	DATE
6TH FBC EDITION	FM	10/17
7TH FBC EDITION	NUS	10/14/20

THE INSTALLATION DETAILS DESCRIBED HEREIN ARE GENERIC AND MAY NOT REFLECT ACTUAL CONDITIONS FOR A SPECIFIC SITE. IF SITE CONDITIONS CAUSE INSTALLATION TO DEVIATE FROM THE REQUIREMENTS DETAILED HEREIN, A LICENSED ENGINEER OR ARCHITECT SHALL PREPARE SITE SPECIFIC DOCUMENTS FOR USE WITH THIS DOCUMENT.



FL #:	<b>FL14911</b>
DATE:	<b>09.20.17</b>
DWG. BY:	CL
CHK. BY:	HFN
SCALE:	<b>NTS</b>
DWG. #:	<b>SWD018</b>
SHEET:	<b>5</b>
	<b>OF 4</b>